

Install the **RIANOV** CSI (CANT/SLOPE Indicator) on the rail as shown in the figures on the left. Make sure to place the **RIANOV** CSI in a position that will allow ease of access to the single button on the front of the **RIANOV** CSI.

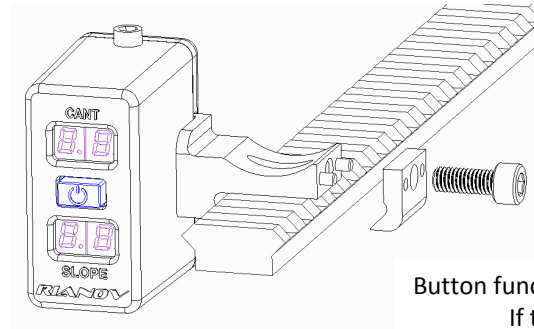


Figure 1.1

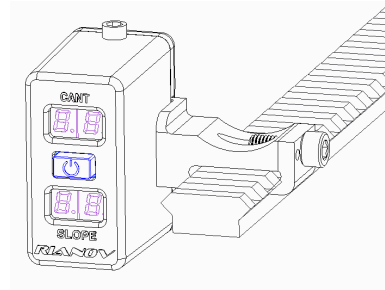


Figure 1.2

PRIOR TO INSTALLING YOUR *RIANOV*™ TO YOUR RIFLE, MAKE CERTAIN THAT IT IS UNLOADED. REFER TO YOUR FIREARM OWNER'S MANUAL TO ENSURE THE FIREARM IS SAFE

Button functionality:

If the **RIANOV** CSI is off:

Pressing and releasing the button will turn on the **RIANOV** CSI.

If the **RIANOV** CSI is on:

Press and release will toggle between high and low brightness of the display.

Press and short hold (1-3 seconds) - Toggle between the Slope values being shown as angles and the Cosine Correction Factor. The Cosine Correction Factor is used to modify known flat fire holds for Uphill/Downhill shooting.

Press and hold (3-6 seconds) – Set the auto-off timer for the **RIANOV** CSI. The display will show the current Auto Off time. Pressing and releasing the button will add 5 seconds to the time. Minimum of 15 seconds to a maximum of 90 seconds.

Press and long hold (more than 6 seconds) – Enter calibration Mode. Calibration mode is used to align the mounted **RIANOV** CSI to a known level position in both Cant and Slope for the rifle. When the **RIANOV** CSI enters Calibration mode, it will flash the display for 2 seconds. Once the flashing stops the **RIANOV** CSI will measure its position and store these values as its new level position.

System Contents

The **RIANOV**™ CSI, shown in Figure 1.1, contains the following:

- 1 - **RIANOV**™ CSI
- 1 - CR123A Lithium Battery (installed)
- 1 - **RIANOV**™ CSI Operator's Manual
- 1 - M2.5 Hex Key
- 2 - M3 Black Oxide screws (spares)

Battery replacement:

The **RIANOV** CSI is powered by a single CR123A battery and this battery, depending on usage should last for 2-3 years. To replace the battery, remove the two M3 screws on the top and bottom of the device and remove the CSI Cover from the Housing. The Seal that wraps around the CSI Cover may come off the Cover. Retain the Seal and place it on the Cover as it was before reassembly. Remove the old battery and put in a new CR123A battery. Install the Cover and Seal and tighten in place with the 2 M3 screws.

NOTE: The battery holder is designed to hold the battery with the positive (+) terminal down. DO NOT ATTEMPT TO MODIFY THE BATTERY HOLDER OR BATTERY CONTACTS OR DAMAGE WILL OCCUR TO YOUR CSI UNIT.

WARRANTY (LIMITED) AND SERVICE

PRECISION TARGETING, LLC (PT), warrants that this product was manufactured free of defects in materials and workmanship and for a period of twelve months from the date of purchase by the original owner, PT agrees to correct any defect for the original purchaser by repair or replacement with the same or comparable model, at the sole discretion of PT. The warranty does not cover abuse, misuse, lost items, batteries, and consequential and incidental damages are not recoverable under this warranty. Some states do not allow the exclusion or limitation of incidental or consequential damages, so the above limitation or exclusion may not apply to you. This written warranty is the only warranty provided and any implied warranty of merchantability or fitness is limited to the same 12 month period. Technical specifications are subject to change without notice.

If your **RIANOV**™ CSI requires service, whether made under warranty or not, please contact PT for instructions on how to have your **RIANOV**™ CSI repaired.

PRECISION TARGETING, LLC www.RIANOV.com
P.O. Box 81644
Atlanta, GA 30366
(770) 657-7855

DO NOT RETURN YOUR CSI UNIT PRIOR TO RECEIVING AUTHORIZATION FROM PRECISION TARGETING, LLC